

3 Piece Screw Ball Valve - Double Acting

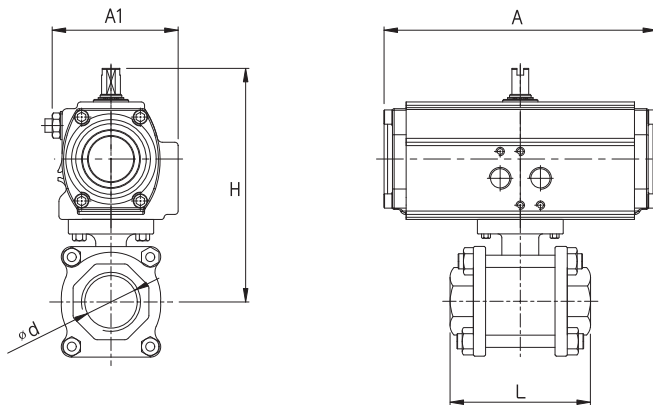


● Applicable Standards

- Fluids : Water, Steam, Gas, Oil, Chemical Process
- Construction : 3 Piece Body, Floating Ball, Anti Blow Out
- End Connection : NPT Screw
- Design: ANSI B 1.20 / 16.10 / 16.34, API 598
- Seat Leakage : Class IV, V, VI

□ Specification

Valve Size	8A(1/4") ~ 50A(2")
Actuator Model	AD40 / AD50 / AD65
Actuator Type	Pneumatic Double Acting (with Dry Air)
Operating Pressure	4 ~ 7kg/cm ²
Rotating Angle	90°± 5°
Fluid Temperature	-10℃ ~ 160℃
Rating	1000 PSI
Material	Body (A351 CF8, 8M) / Ball (A182 F304, 3316) / Seat (PTFE, RTFE, PEEK)
Accessory	Solenoid Valve, Limit Switch Box, Air filter Regulator, E/P Positioner



□ Dimension

End Connection : NPT Screw (mm)

Model	Size		A	A1	H (Approx)	L	ød
	mm	Inch					
AD40-8S3	8A	1/4"	108	60	119	60	10
AD40-10S3	10A	3/8"	108	60	119	60	12.5
AD40-15S3	15A	1/2"	108	60	119	65	15
AD40-20S3	20A	3/4"	108	60	122	75	20
AD50-25S3	25A	1"	162	75	146	85	25
AD50-32S3	32A	1-1/4"	162	75	151	100	32
AD65-40S3	40A	1-1/2"	202	89	179	110	38
AD65-50S3	50A	2"	202	89	187	130	50