

GLV-1

Wetted parts of GLV-1 are made of bronze or dezincification resistant brass.
Widely applicable for steam, air, water or oil application.

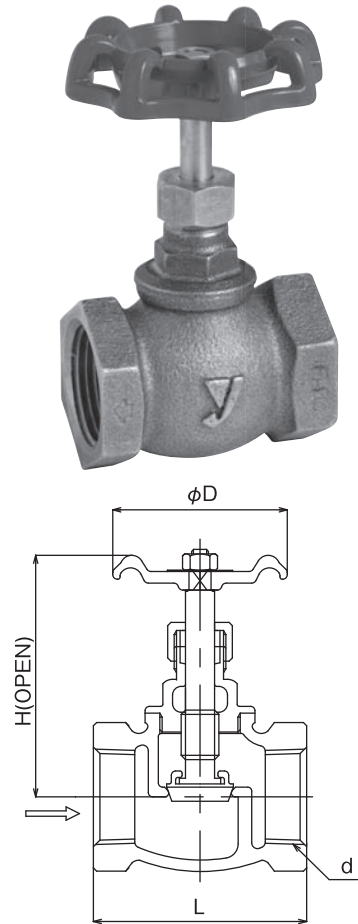
Specifications

Application	Steam, Air, Cold and hot water, Oil, Other non dangerous fluids	
Maximum pressure	1.0 MPa	
Maximum temperature	185°C	
Material	Body	Bronze
	Bonnet	Brass or bronze
	Disc	Brass or bronze
Connection	JIS Rc screwed	

* Valve is closed at the time of shipment from factory.

Dimensions (mm) and Weight (kg)

Nominal size	d	L	H	D	Weight
15A	Rc 1/2	50	76	54	0.3
20A	Rc 3/4	57	86	61	0.4
25A	Rc 1	65	100	68	0.6
32A	Rc 1-1/4	75	123	77	0.9
40A	Rc1-1/2	85	135	77	1.1
50A	Rc 2	100	159	83	1.7



GLV-16

Wetted parts of GLV-16 are made of ductile cast iron.
Widely applicable for steam, air, water or oil application.

Specifications

Application	Steam, Air, Cold and hot water, Oil, Other non dangerous fluids	
Maximum pressure	2.2 MPa	
Maximum temperature	220°C	
Material	Body	Ductile cast iron
	Bonnet	Ductile cast iron
	Disc	Stainless steel
Connection	JIS Rc screwed	

Dimensions (mm) and Weights (kg)

Nominal size	d	L	H	D	Weight
15A	Rc 1/2	75	126	83	0.9
20A	Rc 3/4	90	135	105	1.1
25A	Rc 1	105	150	112	1.7
32A	Rc 1-1/4	120	162	132	2.7
40A	Rc1-1/2	135	183	132	3.8
50A	Rc 2	160	186	132	5.6

