

# 1 Piece Screw Ball Valve - Electric

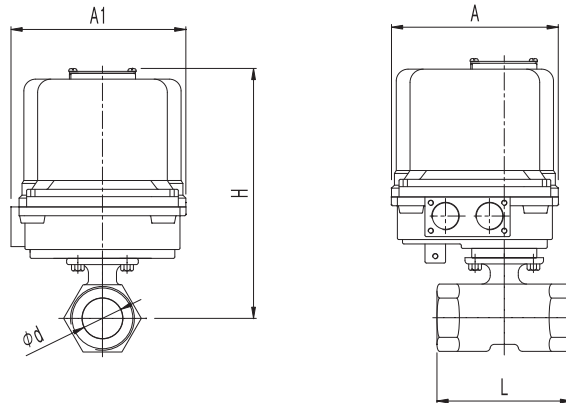


## ● Applicable Standards

- Fluids : Water, Steam, Gas, Oil, Chemical Process
- Construction : 1 Piece Body, Floating Ball, Anti Blow Out
- End Connection : NPT Screw
- Design: ANSI B 1.20.1 / 16.10 / 16.34, API 598
- Seat Leakage : Class V, VI

## □ Specification

Valve Size	10A(3/8") ~ 50A(2")
Actuator Model	ATM0020 / ATM0040
Actuator Type	Electric
Electrical	AC110V, 220V, 380V
Output Torque	25 Nm / 40 Nm
Operating time	11/50Hz / 14/50Hz
Operating Type	On-off
Rotating Angle	90° ± 5°
Fluid Temp	-20°C ~ 70°C
Rating	1000 PSI
Material	Body (A351 CF8, 8M) / Ball (A182 F304, 316) / Seat (PTFE, RTFE, PEEK)



## □ Dimension

End Connection : NPT Screw (mm)

Model	Size		Motor		H (Approx)	L	ød
	mm	Inch	A	A1			
ATM0020-10S1	10A	3/8"	89.4	109.7	156.5	45	7.7
ATM0020-15S1	15A	1/2"	89.4	109.7	168.5	56.5	9.2
ATM0020-20S1	20A	3/4"	89.4	109.7	188.5	59	12.5
ATM0020-25S1	25A	1"	89.4	109.7	192.5	71	15
ATM0040-32S1	32A	1-1/4"	113.5	121.8	200	78	20
ATM0040-40S1	40A	1-1/2"	113.5	121.8	200	83	25
ATM0040-50S1	50A	2"	113.5	121.8	200	100	32