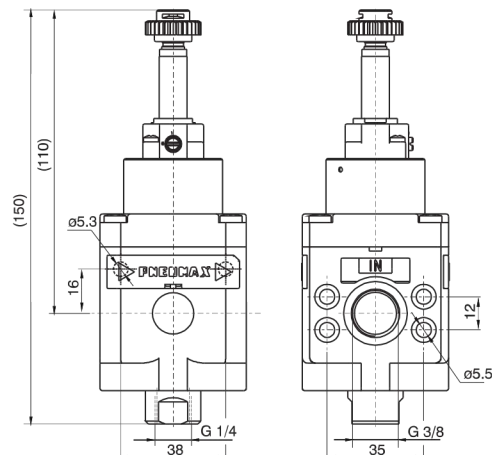


## Electrically operated shut-off valve



Ordering code

**17230.1**

TYPE

**1**

M2 = Electric with M2

M2/9 = Electric with M2/9

Example: 17230.M2 : Shut-off valve size 2 with electric control complete with M2 mechanic

Important note: the preventive or programmed maintenance of this product is not foreseen considering the elaborated assembling and the specific "PNEUMAX" testing; therefore, call the producer or its representative in case of necessity.

Operational characteristic	Technical characteristic	
- 3 ways poppet valve, electric control.	Inlet connections	G 3/8"
- Zinc alloy body or reinforced technopolymer body with threaded brass insert connections.	Exhaust connections	G 1/4"
- Opening and closing of the valve via solenoid operator.	Temperature °C	-5 °C - 50°C
- The correct flow direction is indicated by the arrows stamped on the valve body.	Weight with anodized aluminium alloy 2011 body	gr. 440
- The supply pressure must be minimum 2 bars or higher for the solenoid operated version.	Assembly position	Any
- The piloting pressure must be minimum 2bar or higher for the pneumatic operated version. (inlet pressure can be lower than 2 bar).	Wall fixing screw	M5
- It is possible to produce the external supplied solenoid version by mounting the 305.10.05 between the valve main body and the solenoid pilot valve.	Max. fittings torque	25 Nm
- The air supply can only be done via port 1.	Min. working pressure	2 bar
- Ensure that the downstream air consumption will not cause a pressure drop which could result in the pressure falling below the minimum operating values. If the pressure inside the valve falls below 2 bars , the valve might shut off.	Max working pressure (bar)	13 bar
- Wall mounting possibility with M5 screws protected by covers.	Flow rate at 6 bar with $\Delta p=1$	2100 NI/min