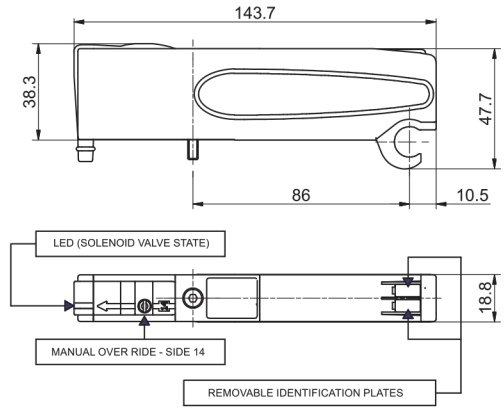




Solenoid - Spring

Ordering code
2541.52.00.39. V
VOLTAGE
02 = 24 VDC PNP
12 = 24 VDC NPN
05 = 24 VAC



Weight gr. 129

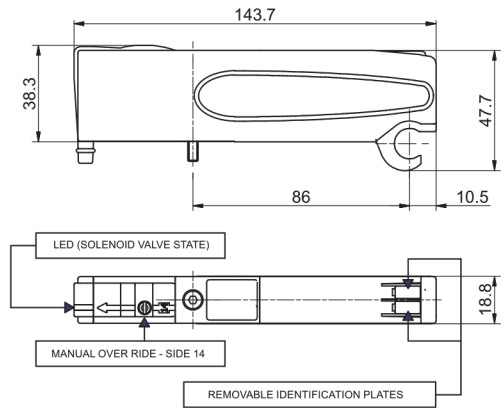


SHORT FUNCTION CODE "A"

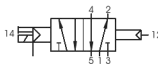
Operating Characteristics	Fluid	Working pressure (bar)	Response time (ISO 12238), activation time (ms)	Response time (ISO 12238), deactivation time (ms)	Flow rate at 6 bar Δp=1 NI/min	Pressure range (bar) pilots 12-14	Temperature °C
	Filtered and lubricated air or not	From vacuum to 10	14	40	750	3 - 7 bar	-5° / +50°

Solenoid - Differential

Ordering code
2541.52.00.36. V
VOLTAGE
02 = 24 VDC PNP
12 = 24 VDC NPN
05 = 24 VAC



Weight gr. 126

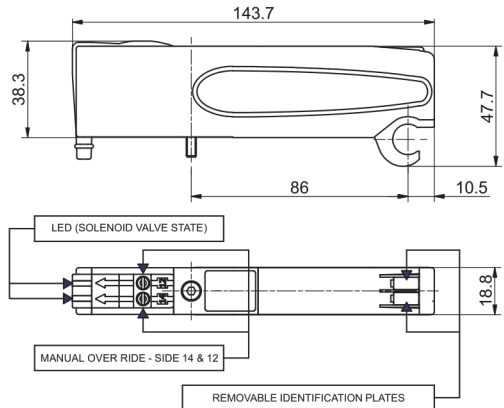


SHORT FUNCTION CODE "B"

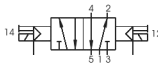
Operating Characteristics	Fluid	Working pressure (bar)	Response time (ISO 12238), activation time (ms)	Response time (ISO 12238), deactivation time (ms)	Flow rate at 6 bar Δp=1 NI/min	Pressure range (bar) pilots 12-14	Temperature °C
	Filtered and lubricated air or not	From vacuum to 10	20	29	750	3 - 7 bar	-5° / +50°

Solenoid - Solenoid

Ordering code
2541.52.00.35. V
VOLTAGE
02 = 24 VDC PNP
12 = 24 VDC NPN
05 = 24 VAC



Weight gr. 134



SHORT FUNCTION CODE "C"

Operating Characteristics	Fluid	Working pressure (bar)	Response time (ISO 12238), activation time (ms)	Response time (ISO 12238), deactivation time (ms)	Flow rate at 6 bar Δp=1 NI/min	Pressure range (bar) pilots 12-14	Temperature °C
	Filtered and lubricated air or not	From vacuum to 10	10	14	750	3 - 7 bar	-5° / +50°