

BSV-2EN

■Features

1. Non-rising handwheel: Free from foreign substance trouble because most threaded surface is covered.
2. No leakage by two-stage sealing of double bellows and gland packing.
3. Gland packing does not need retightening nor applying pressure on spindle, thus handwheel can be turned with small torque without interference from the spindle.
4. Maintenance-free: No need to replace or retighten gland packing.



■Specifications

Model		BSV-2EN	
Application		Steam, Air, Cold and hot water, Oil, Other non-dangerous fluids	
Nominal size		15A-200A *1	
Max. pressure		1.6 MPa *2	2.5 MPa *2
Max. temperature		300°C *2	350°C *2
Material	Body	Cast Iron	Ductile Cast Iron
	Bonnet	Ductile Cast Iron	
	Valve	Stainless steel	
	Valve seat	Stainless steel	
	Bellows	Stainless steel (SUS316Ti)	
Connection		EN 1092-2 PN16	EN 1092-2 PN25

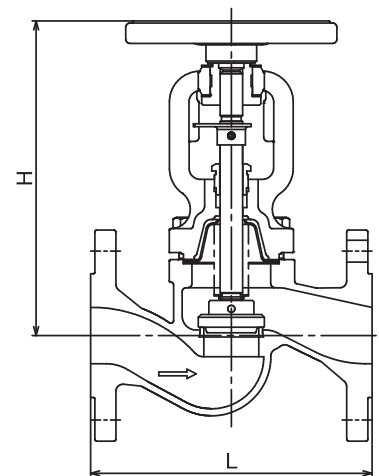
*1 If 250A is needed, please contact us (for cast iron body only).

*2 According to PT rating.

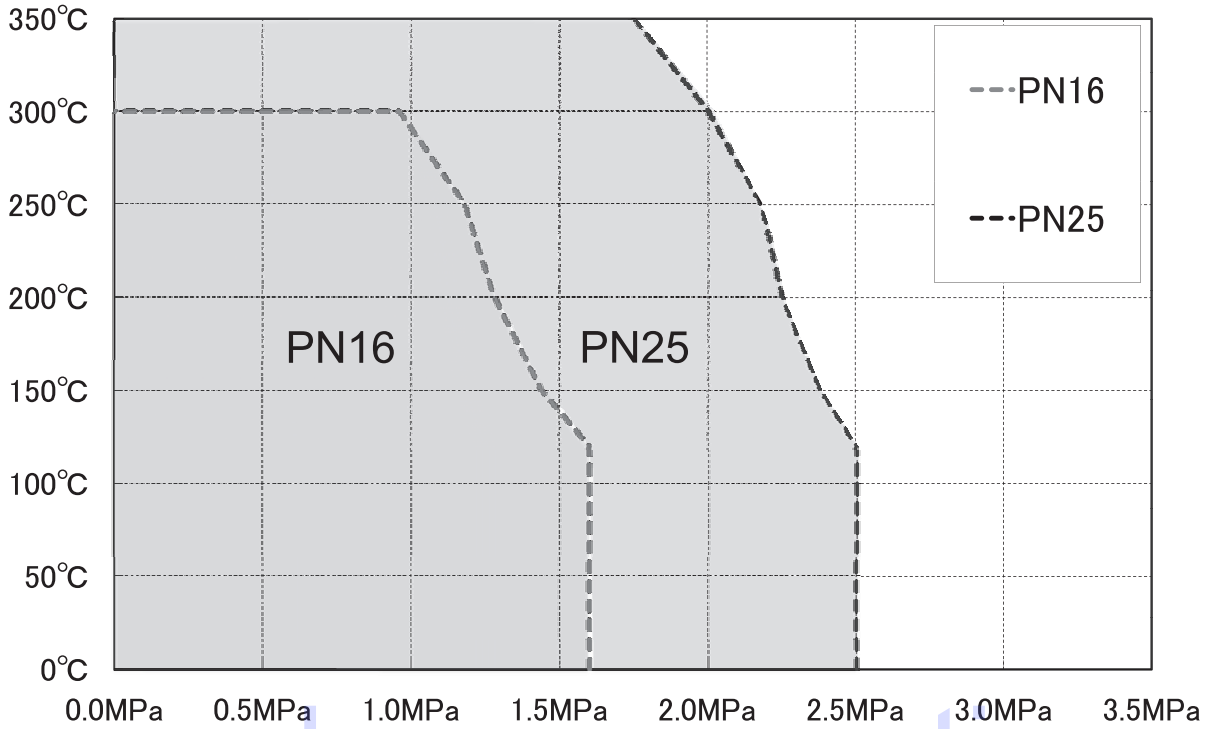
■Dimensions (mm) and Weights (kg)

Nominal size	L	H	Weight
15A	130	178	3.2
20A	150	178	3.9
25A	160	193	4.6
32A	180	201	6.5
40A	200	224	9.0
50A	230	228	11.0
65A	290	270	15.8
80A	310	295	20.5
100A	350	321	35.0
125A	400	388	49.0
150A	480	448	76.0
200A	600	575	130.5

· Face-to-face dimension: EN 558-1 series 1.



■ Pressure and Temperature Rating



www.hqpneumatic.vn

- This chart shows PT rating of PN16 for cast iron flanges and of PN25 for ductile cast iron flanges according to EN 1092-2.
- BSV-2EN PN16 flanged can be used in orange region. BSV-2EN PN25 flanged can be used in orange and green regions.
- If detailed values of maximum fluid temperature and maximum pressure are needed, please see the following table:

Acc to EN 1092-2		Temperature [C°]					
Material	PN	-10 up to 120	150	200	250	300	350
Cast iron	16	1.60 MPa	1.44 MPa	1.28 MPa	1.12 MPa	0.96 MPa	-
Ductile cast iron	25	2.50 MPa	2.43 MPa	2.30 MPa	2.18 MPa	2.00 MPa	1.75 MPa